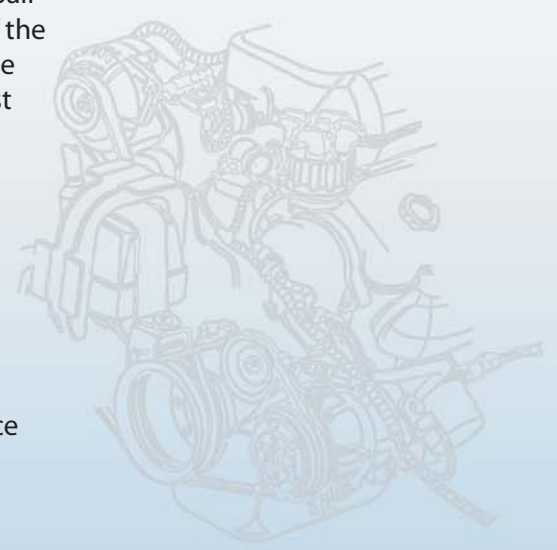


The *Auto Repair Reference Center*™ database includes automotive repair information supplied by Nichols Publishing, the former publisher of the Chilton® information and information from Delphi Integrated Service Solutions. *Auto Repair Reference Center* contains information on most manufacturers of domestic and imported vehicles.

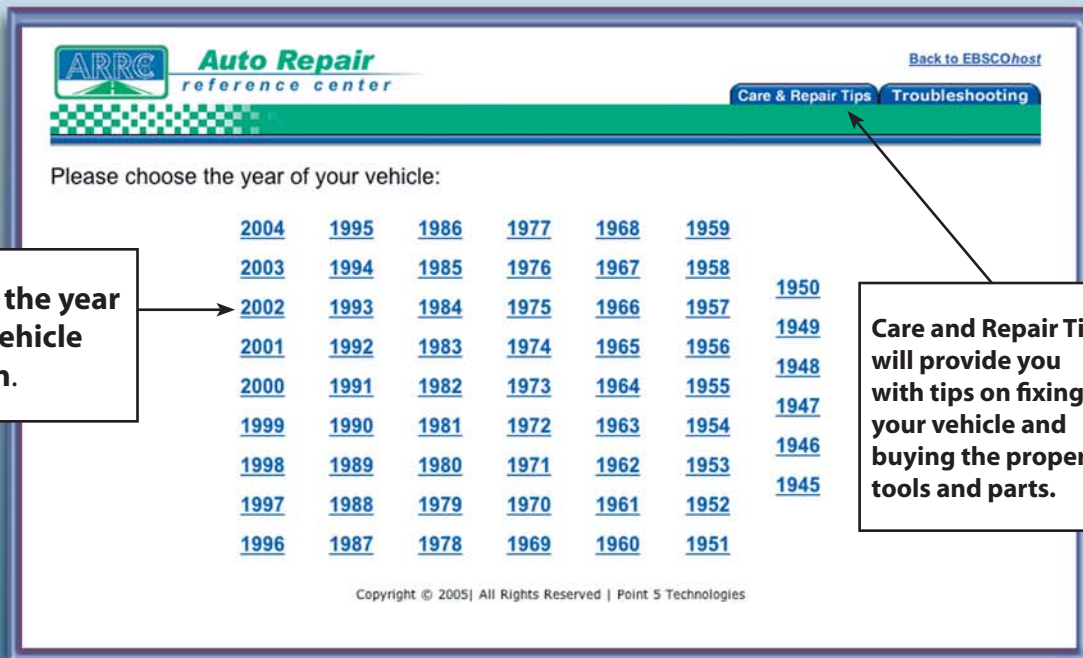
Content includes:

- Approximately 25,000 vehicles, from 1945 to present
- Over 100,000 factory drawings and step-by-step photographs
- Over 65,000 technical service bulletins & recalls
- Wiring diagrams for easy viewing and printing
- Specifications & maintenance schedules
- Labor Time Guide & Estimator
- Quick Tips – a complete guide to vehicle ownership & maintenance

Once you begin using the *Auto Repair Reference Center*, the **main screen** appears with all vehicle years that are available.



The Main Screen:



Please choose the year of your vehicle:

2004	1995	1986	1977	1968	1959	
2003	1994	1985	1976	1967	1958	
2002	1993	1984	1975	1966	1957	1950
2001	1992	1983	1974	1965	1956	1949
2000	1991	1982	1973	1964	1955	1948
1999	1990	1981	1972	1963	1954	1947
1998	1989	1980	1971	1962	1953	1946
1997	1988	1979	1970	1961	1952	1945
1996	1987	1978	1969	1960	1951	

Copyright © 2005 | All Rights Reserved | Point 5 Technologies

Choose the year of the vehicle to begin.

Care and Repair Tips will provide you with tips on fixing your vehicle and buying the proper tools and parts.

After you have selected the year of your vehicle, choose the make, model and engine size. You are now presented with up to six options:

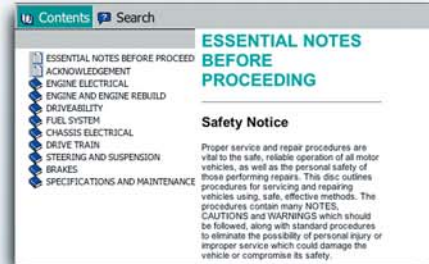
- Topic: Repair Procedures
- Topic: Service Bulletins and Recalls
- Topic: Wiring Diagrams
- Topic: Labor
- Topic: Specifications
- Topic: Maintenance Intervals



Repair Procedures



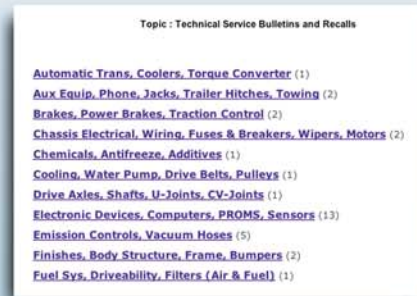
The Repair Procedures include step-by-step instructions, complete with diagrams and images.



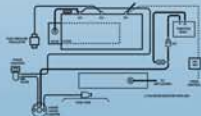
Service Bulletins & Recalls



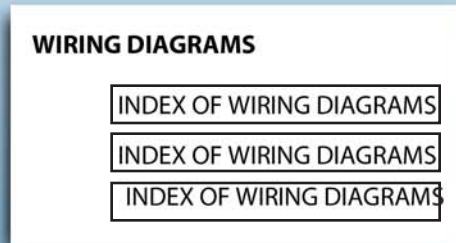
There are over 65,000 manufacturer-supplied service bulletins and recalls notices available.



Wiring Diagrams



The wiring diagrams contain complete schematics on the electrical system of a vehicle. This includes keys for easy identification.



Labor Costs



Enter the **hourly rates** charged by your mechanic for labor and diagnostics.

Select the appropriate options from the System, SubSystem and Operation drop-down lists.

Click the **Add** button next to each component that applies. Your total labor and diagnostic breakdown is displayed.

Select a System	FUEL	
Select a SubSystem	CARBURETOR	
Select an Operation	Carburetor, Replaces	
Select From the Features Below		
Feature	Labor/Diagnostic Time 1	
1981-90 Corolla, Tercel	1.8	
Hours totalled 9 Labor Charge \$0.00		
Total Operations Listed Below (with Features)		
Operation #	Labor/Diagnostic Time	Remove
	Labor Hours @ \$40.00	0
	Diagnostic Hours @ \$45.00	0
	Total Hours	0
	Cost For Labor	\$0.00
	Cost For Diagnostics	\$0.00
	Total Price	\$0.00